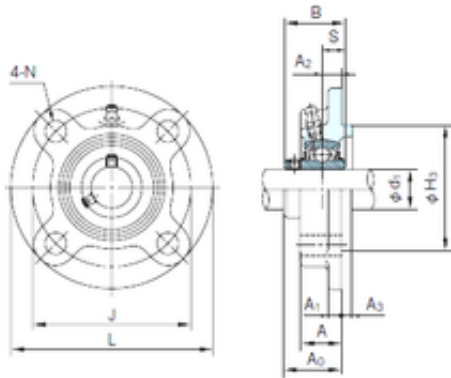




# BEARING-SINGAPORE (PTE)LTD.

## NACHI UCFCX05 bearing units



Bearing No. UCFCX05

Bore Diameter	25 mm
d1	25 mm
H3	76 mm
A0	32.2 mm
A	24 mm
A1	9.5 mm
B	38.1 mm
J	92 mm
L	111 mm
N	9.5 mm
S	15.9 mm
Bolt (G)	M 8
A2	10 mm
A3	6 mm

UCFCX05 Bearing 2D drawings and 3D CAD models