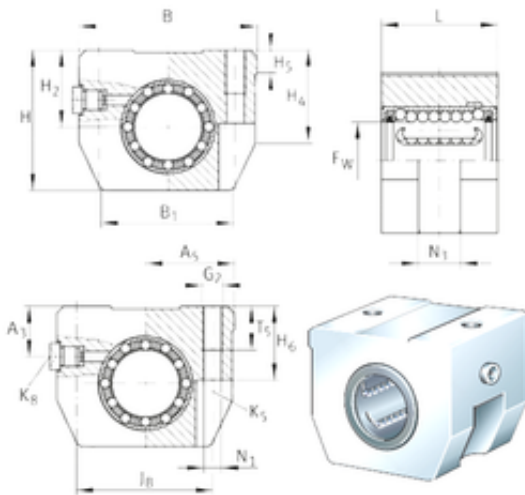




BEARING-SINGAPORE (PTE)LTD.

INA KGHK50-B-PP-AS bearing units

Bearing No. KGHK50-B-PP-AS



KGHK50-B-PP-AS Bearing 2D drawings and 3D CAD models

Bore Diameter	50 mm
Fw	50 mm
H4	62,3 mm
H5	10,9 mm
H6	46 mm
A5	51,5 mm
B	103 mm
B1	74 mm
H	92 mm
H2	47 mm
L	70,2 mm
N1	10,5 mm
A3	28 mm
N2	20 mm
Thread (G2)	M12
JB	82 mm
T5	26 mm
Thread (K5)	M10
Weight	1,25 Kg
Basic dynamic load rating (C)	6,8 kN