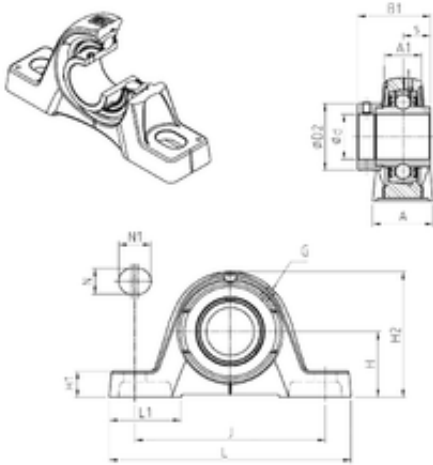




BEARING-SINGAPORE (PTE)LTD.

SNR EXPE214 bearing units

Bearing No. EXPE214



EXPE214 Bearing 2D drawings and 3D CAD models

Bore Diameter	70 mm
d	70 mm
s	34,1 mm
A	65 mm
A1	44 mm
B1	85,7 mm
D2	96,8 mm
H	79,4 mm
H1	27,5 mm
H2	156 mm
J	203 mm
L	260 mm
L1	77 mm
N	22 mm
N1	28 mm
Thread (G)	R1/8"
Weight	6,6 Kg
Basic dynamic load rating (C)	62 kN