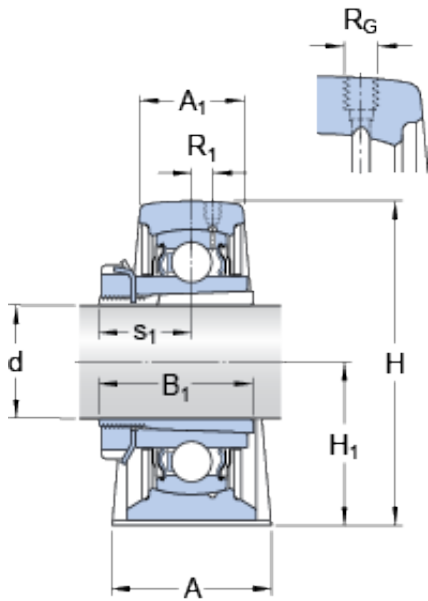




# BEARING-SINGAPORE (PTE)LTD.

## SKF SYJ 35 KF bearing units

Bearing No. SYJ 35 KF



SYJ 35 KF Bearing 2D drawings and 3D CAD models

Size	30x35x46 mm
Bore Diameter	30 mm
Outer Diameter	35 mm
Width	46 mm
d	30 mm
d	35 mm
A	46 mm
A <sub>1</sub>	28 mm
B <sub>1</sub>	43 mm
H	93 mm
H <sub>1</sub>	47.6 mm
H <sub>2</sub>	17 mm
J	129 mm
J - max.	136 mm
J - min.	122 mm
L	167 mm
H	24 mm
N <sub>1</sub>	17 mm
s <sub>1</sub>	24.8 mm
J <sub>6</sub>	153 mm
J <sub>7</sub>	16 mm
N <sub>4</sub>	4 mm
D <sub>N</sub>	6.5 mm
SW <sub>N</sub>	7 mm
	1/428 SAELT



# BEARING-SINGAPORE (PTE)LTD.

GN - 1/4-28 SAE-LT



## BEARING-SINGAPORE (PTE)LTD.

R <sub>G</sub> - 1/4-28 UNF	1/428 UNF
R <sub>1</sub>	3 mm
R	45 °
Basic dynamic load rating - C	25.5 kN
Basic static load rating - C <sub>0</sub>	15.3 kN
Fatigue load limit - P <sub>u</sub>	0.655 kN
Limiting speed	5300 r/min
Category	Pillow Block Bearings
Inventory	0.0
Manufacturer Name	SKF
Minimum Buy Quantity	N/A
Weight / Kilogram	1.432
EAN	7316570122169
Product Group	M06110
Number of Mounting Holes	2
Mounting Method	Adapter Sleeve
Housing Style	2 Bolt Pillow Block
Rolling Element	Ball Bearing
Housing Material	Cast Iron
Expansion / Non-expansion	Non-expansion
Mounting Bolts	14 Millimeter
Relubricatable	Yes
Insert Part Number	YSA 207-2FK
Seals	M Seal
Housing Configuration	1 Piece Solid
Inch - Metric	Metric
Other Features	Single Row   Y Bearing
Long Description	2 Bolt Pillow Block; 30MM Bore; 47.6MM Base to Center Height; Adapter Sleeve Mount; Ball Bearing; Relubricatable; Cast Iron; M



## BEARING-SINGAPORE (PTE)LTD.

	Seal; Non-expansion
Category	Pillow Block
UNSPSC	31171511
Harmonized Tariff Code	8483.20.40.40
Noun	Bearing
Keyword String	Pillow Block
Manufacturer URL	<a href="http://www.skf.com">http://www.skf.com</a>
Manufacturer Item Number	SYJ 35 KF
Weight / LBS	2.76
Bore	1.181 Inch   30 Millimeter
Length Thru Bore	1.693 Inch   43 Millimeter
Base to Center Height	1.874 Inch   47.6 Millimeter
Nominal Bolt Center to Center	5 Inch   127 Millimeter
Actual Bolt Center to Center	5.1 Inch   129 Millimeter
Bolt Spacing Minimum	0 Inch   0 Millimeter
Bolt Spacing Maximum	0 Inch   0 Millimeter
Housing material	Cast iron
A <sub>1</sub>	28 mm
B <sub>1</sub>	43 mm
H <sub>1</sub>	47.6 mm
H <sub>2</sub>	17 mm
J max.	136 mm
J min.	122 mm
N	24 mm
N <sub>1</sub>	17 mm
s <sub>1</sub>	24.8 mm
R <sub>G</sub>	1/4-28 UNF
R <sub>1</sub>	3 mm
R	45 °
D <sub>N</sub>	6.5 mm
SW <sub>N</sub>	7 mm



## BEARING-SINGAPORE (PTE)LTD.

$G_N$	1/4-28 SAE-LT
$J_6$	153 mm
$J_7$	16 mm
$N_4$	4 mm
Basic dynamic load rating C	25.5 kN
Basic static load rating $C_0$	15.3 kN
Fatigue load limit $P_u$	0.655 kN
Mass bearing unit	1.62 kg
Appropriate spanner	HN 7
Recommended lock nut tightening angle	100 °
Recommended diameter for attachment bolts, mm G	14 mm
Recommended diameter for attachment bolts, inch G	0.5625 in
Bearing	YSA 207-2FK