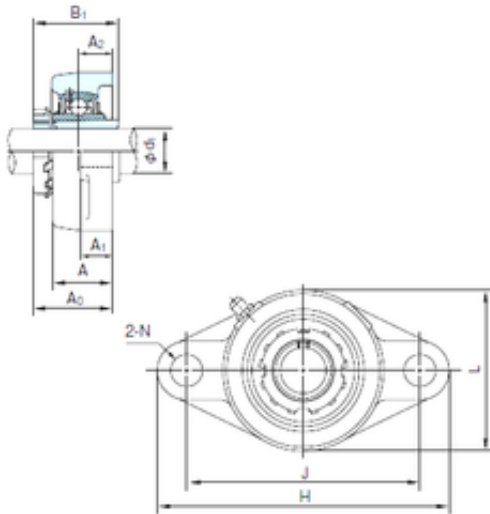




BEARING-SINGAPORE (PTE)LTD.

NACHI UKFL210+H2310 bearing units

Bearing No. UKFL210+H2310



UKFL210+H2310 Bearing 2D drawings and 3D CAD models

Bore Diameter	45 mm
d1	45 mm
A0	49.5 mm
A	40 mm
A1	18 mm
B1	55 mm
H	197 mm
J	157 mm
L	115 mm
L1	120 mm
N	19 mm
Bolt (G)	M16
A2	22 mm